

Wideband house amplifiers

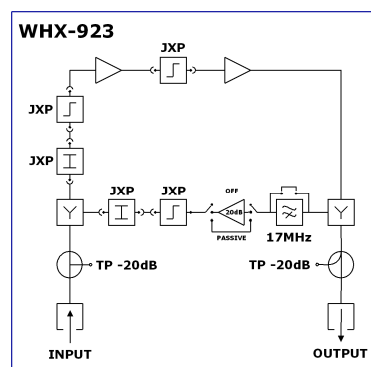
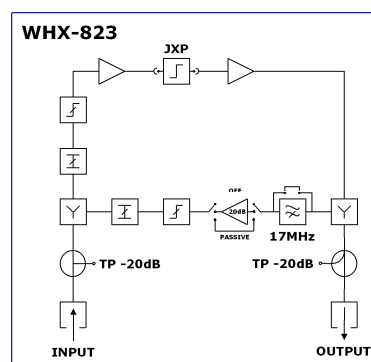
ISO 9001 CERTIFIED

WHX-823, WHX-923



The **WHX-823** and **WHX-923** amplifiers have been designed for professional multimedia CATV networks which make an intensive use of the return path transmission, especially those with an HFC architecture. In such networks, WHX amplifiers perform the function of final amplifiers. The flexibility of WHX amplifier applications arises from the fact that they are manufactured in numerous versions differing in the return path bandwidth, power supply type (local or remote) and output connectors type: F, PG 11 and 5/8".

Block diagram – WHX-x23



- Specially designed for multi-media CATV networks
- Output stage amplifier is based on GaAs hybrid circuit
- High output level: 123dBuV
- Easy configuration – adjustable (WHX-823) or universal JXP plug-in modules (WHX-923).
- Switchable return path: passive / off / active
- Local or remote power supply.
- Two external test point
- Al hermetic and compact housing.

TECHNICAL SPECIFICATION

FORWARD PATH		WHX-823	WHX-923
Frequency range	MHz	ver. M: 87...862 ver. R: 47...862	
Gain	dB	36	
Gain characteristic flatness	dB	±0,75	
Max. output level – DIN 45004B	dBuV	123	
Max. output level CENELEC (42 channels) Interstage equalization 9 dB - CTB ≤ 60dBc - CSO ≤ 60dBc	dBuV dBuV	110 110	
Input attenuator	dB	adjustable 0...20	plug-in JXP 0...20
Input equalizer	dB	adjustable 0...20	plug-in JXP 0...20
Interstage equalizer	dB	plug-in JXP 0...20	
Input, Output Test Point	dB	20	
Noise factor	dB	< 7,0	
Return loss at all Inputs / Outputs: - In the frequency range of 5...40 MHz - In the frequency range of 40...862 MHz	dB dB	18 18 @ 40MHz – 1,5 / oct.	
RETURN PATH			
Frequency range	MHz	ver. M: 5...65 ver. R: 5...30	
Operating mode (3 position switch)	/	Position 1: Passive path Position 2: OFF (-50dB) – path disconnected, matching maintained Position 3: Active path, gain 20dB	
Gain	dB	-2,5 / 20	
Gain characteristic flatness	dB	±1	
Max. output level – DIN 45004B	dBuV	115	
Output attenuator	dB	adjustable 0...20	plug-in JXP 0...20
Output equalizer	dB	adjustable 0...20	plug-in JXP 0...20
Noise factor (max.)	dB	< 6,0	
OTHERS			
Operating voltage - Local	V AC / Hz	195...253 / 50...60	
Operating voltage - Remote	V AC / Hz	24...65 / 50...60	
Current consumption for supply voltage 60V / 24V AC (active return path)	A	0,165 / 0,4	
Power consumption	W	<6,5	
Input connector – depends on power supply type	/	F or 5/8M	
Output connector	/	F	
Protection Class		IP 64	
Operational temperature range	°C	-20 ÷ +60	
Weight	kg	1,0	
Dimension (W x H x D)	mm	100 x 135 x 60	

Technical parameters may be changed without earlier notice

www.telmor.pl