

Optical receiver

MOB-x29

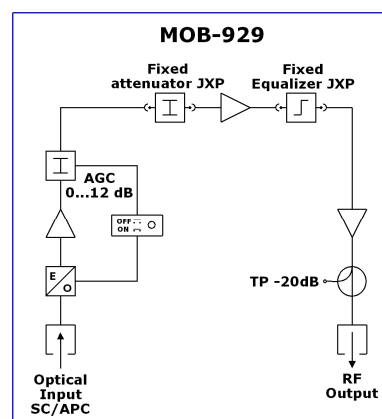
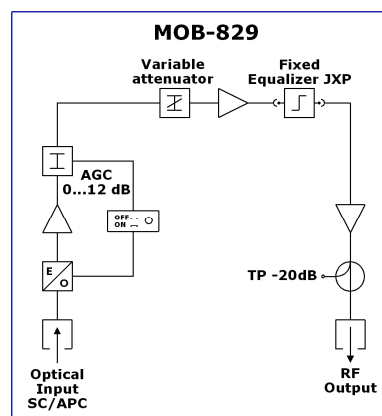


The **MOB-x29** is modern optical receiver designed for FTTB application. The unit is equipped with one adjustable attenuator (gain) and one socket for JXP plug-in modules – interstage equalizer.

MOB-x29 built-in diode LED indicator informs of input optical power level. The receiver has one optical input – SC/APC connector, one RF output F female and Test Point – F female connector. Simply construction and easy configuration of the optical receiver, provides significant cost reduction and simplified maintenance in the modern HFC networks.

- Designed for FTTB (Fiber To The Building) application
- Easy configuration – adjustable and universal plug-in modules
- Built-in AGC (Automatic Gain Control)
- 3 stages LED indication of input optical power level
- Local powering
- Metal die-cast housing

Block diagram – MOB-x29

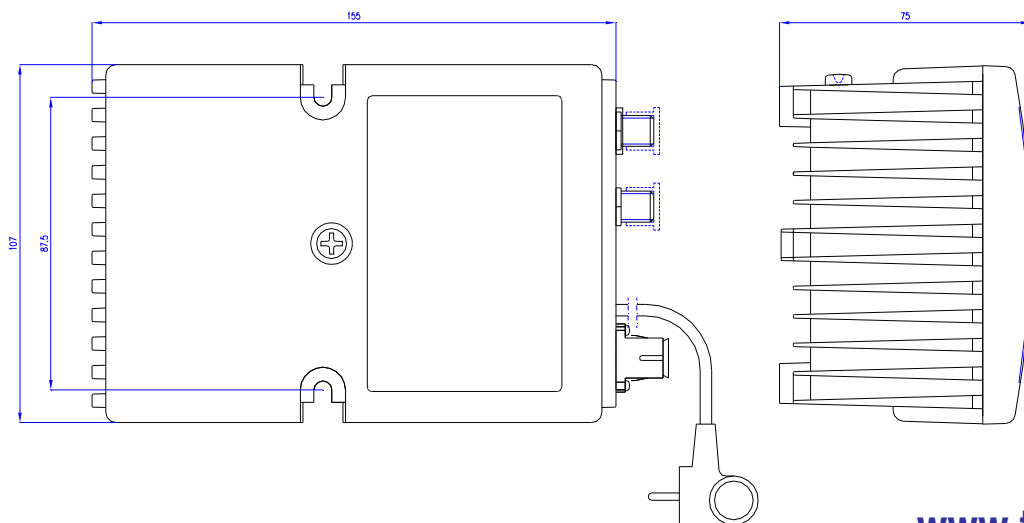


Technical parameters may be changed without earlier notice

www.telmor.pl

TECHNICAL SPECIFICATION

| OPTICAL PARAMETERS | | MOB-829 | MOB-929 |
|---|-------------------------------|--|-----------------------------|
| Input level range (P_{IN}) | dBm | -10...+1 | |
| AGC range | dBm | -6...0 | |
| Optical return-loss | dB | ≥ 40 | |
| Optical input wave length | nm | 1100...1650 | |
| Max. input level (without damaging of photodetector) | dBm | +3 | |
| Indicator of optical power | / | Diode LED indicator: - orange: $P_{IN} < -6$ dBm - green: $-6 < P_{IN} < 0$ dBm - red: $P_{IN} > 0$ dBm | |
| Equivalent input noise current | $\text{pA}/(\text{Hz})^{1/2}$ | 8 | |
| Optical connector | / | SC / APC | |
| RF PARAMETERS | | | |
| Frequency range | MHz | 47...862 | |
| Gain characteristic flatness | dB | $\pm 0,75$ | |
| Max. output level – DIN 45004B | dBuV | 129 | |
| Max. output level CENELEC (42 channels) 9 dB slope, 3,5% OMI | | | |
| - CTB ≤ 60 dBc | dBuV | 114 | |
| - CSO ≤ 60 dBc | dBuV | 114 | |
| RF Output Stability in AGC range | dB | $\pm 1,0$ | |
| Adjustment attenuator (ATT) | dB | Variable attenuator 0...20 | Fixed attenuator JXP 0...20 |
| Equalizer adjustment range (EQU) | dB | Fixed Equalizer 0...20 | |
| Output Test Point | dB | -20 | |
| Return loss at RF output | dB | ≥ 18 (40MHz) – 1,5dB / oct | |
| OTHERS | | | |
| Operating voltage | V AC / Hz | 180...253 / 50..60 | |
| Power consumption | W | 13,0 | |
| Output connector | / | F | |
| Protection class | / | IP 64 | |
| Operating temperature | $^{\circ}\text{C}$ | -20...+55 | |
| Weight | kg | 1,1 | |
| Dimensions | mm | 107 x 155 x 75 | |



Technical parameters may be changed without earlier notice

www.telmor.pl