

Optical receiver with AGC

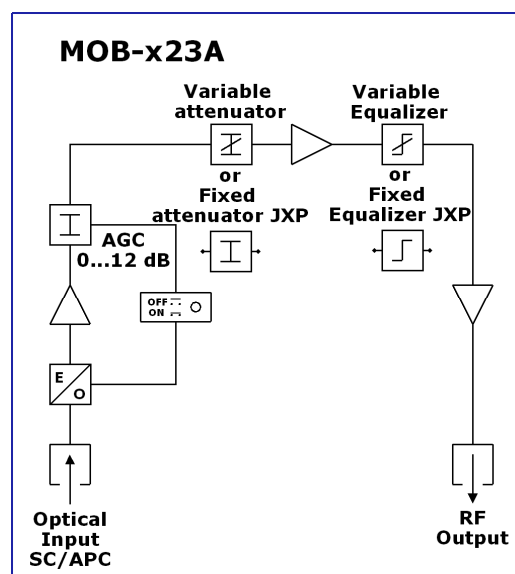
MOB-x23A



The **MOB-x23A** with AGC function is modern optical receiver designed for FTTx application. The unit is equipped with two sockets for JXP plug-in modules for output parameters configuration – gain and tilt control.

MOB-x23A built-in diode LED indicator informs of input optical power level. The receiver has one optical input – SC/APC connector and two RF outputs – F female connectors. Simple construction and easy configuration of the optical receiver, provides significant cost reduction and simplified maintenance in the modern HFC networks.

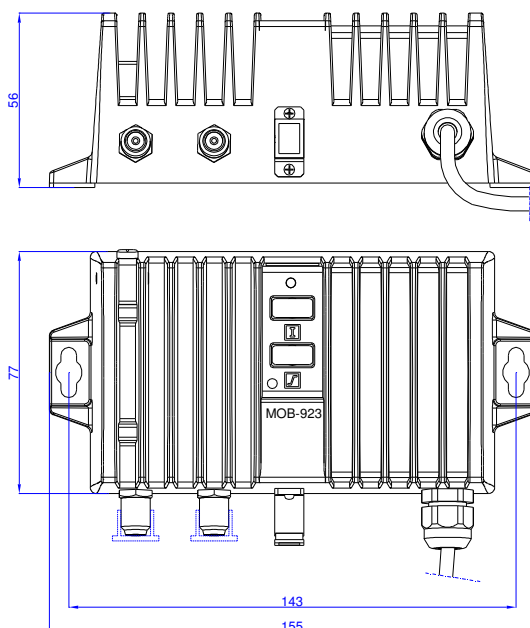
Block diagram – MOB-x23A



- Easy configuration - universal plug-in modules.
- Built-in AGC.
- Hybrid GaAs Push-pull technology.
- 3 stages LED indication of input optical power level.
- Very low power consumption – 5,5W.
- Very high isolation between outputs.
- 3 kinds of overvoltage protection.
- Switch Mode Power Supply (180-253 VAC).
- Metal, die-cast housing.

TECHNICAL SPECIFICATION – MOB-x23A

OPTICAL PARAMETERS		MOB-823A	MOB-923A
Input level range (P_{IN})	dBm	-8...+1	
AGC range	dBm	-6...0	
Optical return-loss	dB	≥ 40	
Optical input wave length	nm	1100...1650	
Max. input level (without damaging of photodetector)	dBm	+3	
Indicator of optical power	/	Diode LED indicator: - orange: $P_{IN} < -6$ dBm - green: $-6 < P_{IN} < 0$ dBm - red: $P_{IN} > 0$ dBm	
Equivalent input noise current	pA / (Hz) ^{1/2}	8	
Optical connector	/	SC / APC	
RF PARAMETERS			
Frequency range	MHz	47...862	
Gain characteristic flatness	dB	$\pm 0,75$	
Max. output level – DIN 45004B	dBuV	123	
Max. output level CENELEC (42 channels) 9 dB slope, 3,5% OMI - CTB ≤ 60 dBc - CSO ≤ 60 dBc	dBuV dBuV	110 110	
RF Output Stability in AGC range	dB	$\pm 1,0$	
Attenuator	dB	adjustable 0...20	plug-in JXP 0...20
Equalizer	dB	adjustable 0...20	plug-in JXP 0...20
Return loss at RF output	dB	≥ 18 (40MHz) – 1,5dB / oct	
OTHERS			
Operating voltage	V AC / Hz	180...253 / 50..60	
Power consumption	W	5,5	
Output connector	/	F	
Protection class	/	IP 40	
Operating temperature	°C	-20...+55	
Weight	kg	0,76	
Dimensions	mm	155 x 56 x 96	



Technical parameters may be changed without earlier notice

www.telmor.pl