

Optical receiver

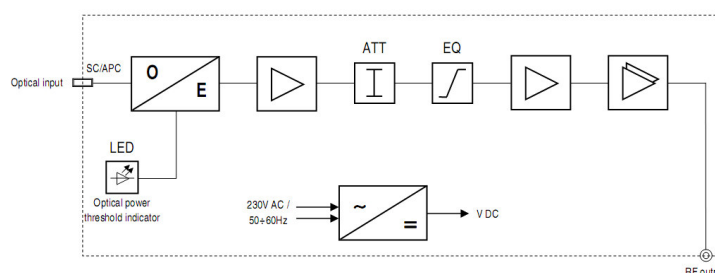
MOB-922



The **MOB-922** is modern optical receiver designed for FTTx application. The unit is equipped with two sockets for JXP plug-in modules for output parameters configuration – gain and tilt control.

MOB-922 built-in diode LED indicator informs of input optical power level. The receiver has one optical input – SC/APC connector and one RF output – F female connector. Simple construction and easy configuration of the optical receiver, provides significant cost reduction and simplified maintenance in the modern HFC networks.

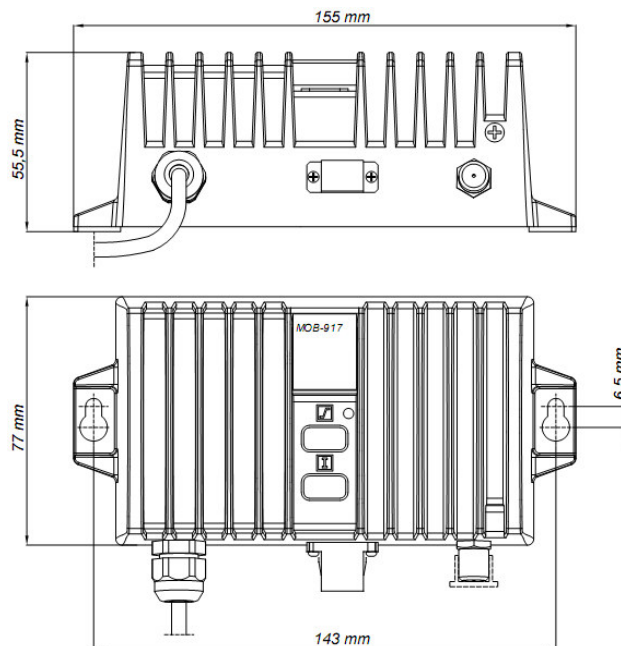
Block diagram – MOB-922



- Designed for FTTx application
- Easy configuration - universal plug-in modules
- GaAs Push-pull technology
- 3 stages LED indication of input optical power level
- Very low power consumption – 7,0W
- Local powering
- Al housing

TECHNICAL SPECIFICATION – MOB-922

OPTICAL PARAMETERS		MOB-922
Input level range (P_{IN})	dBm	-6...0
Optical return-loss	dB	≥ 40
Optical input wave length	nm	1100...1650
Max. input level (without damaging of photodetector)	dBm	3
Indicator of optical power	/	Diode LED indicator: - orange: $P_{IN} < -6$ dBm - green: $-6 < P_{IN} < 0$ dBm - red: $P_{IN} > 0$ dBm
Equivalent input noise current	pA / (Hz) ^{1/2}	8
Optical connector	/	SC / APC
RF PARAMETERS		
Frequency range	MHz	47...862
Gain characteristic flatness	dB	$\pm 0,75$
Equalizer adjustment range (EQU)	dB	0...20 (JXP plug-in)
Attenuator adjustment range (ATT)	dB	0...20 (JXP plug-in)
Max. output level (42 channels CENELEC) - CTB ≤ 60 dBc - CSO ≤ 60 dBc	dBuV	105 105
Output level @ OMI = 3,2% (MOB-922)	dBuV	$L_{OUT} = 2 * P_{IN} [dBm] - ATT + 117 [dBuV]$
Return loss at RF output	dB	≥ 18 (40MHz) – 1,5dB / oct
Output connector	/	F female
Output impedance	Ω	75
OTHERS		
Operating voltage	V AC / Hz	180...253 / 50..60
Power consumption	W	7,0
Dimensions	mm	155 x 56 x 96
Weight	kg	0,76 (aluminum enclosure)
Operating temperature	$^{\circ}C$	-20...+55
Protection class	/	IP 40



www.telmor.pl