

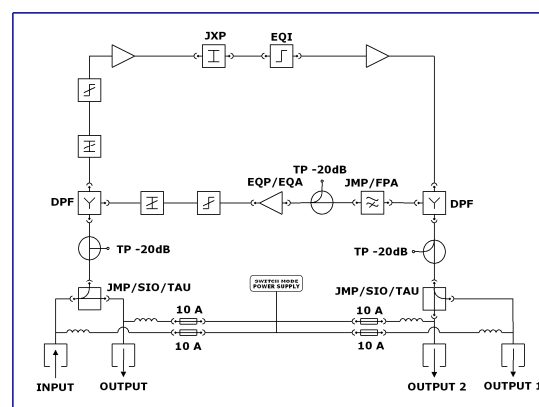
## WHO-x29



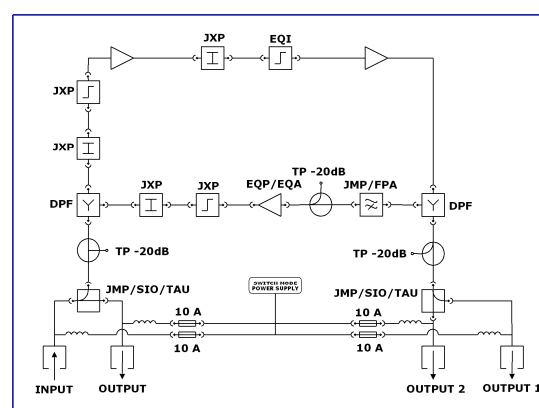
Series of **WHO-x29** amplifiers has been designed for professional multimedia cable TV networks which uses transmission in reverse path. Depending on output level there are two variants of amplifier. Usage of replaceable configuration modules allows wide choice of settings, according requirements.

Basic variant of amplifier is not equipped with any configuration modules – they have to be ordered separately.

**Block diagram – WHO-829**



**Block diagram – WHO-929**



- High output level 129 dBuV.
- Easy configuration – adjustable or Universal JXP plug-in modules.
- Active or passive plug-in return path module.
- Input / Output double overvoltage protection.
- Remote power supply transferable to any output.
- Metal, die-cast housing.

## TECHNICAL SPECIFICATION

FORWARD PATH		WHO-829	WHO-929
Frequency range Determined by a diplex filter – plug-in module (DPF)	MHz	47...862 55...862 75...862 87...862	
Gain	dB	39	
Gain characteristic flatness	dB	± 0,75	
Max. output level – DIN 45004B	dBuV	129	
Max. output level CENELEC (42 channels) interstage equalization 6 dB - CTB ≤ 60dBc - CSO ≤ 60dBc	dBuV dBuV	114 114	
Input attenuator	dB	adjustable 0...20	plug-in JXP 0...20
Input equalizer	dB	adjustable 0...20	plug-in JXP 0...20
Interstage attenuator	dB	plug-in JXP 0...10	
Interstage equalizer	dB	plug-in JMP, EQI-3, -6, -9, -12	
Input, Output Test Point	dB	-20	
Noise factor	dB	< 7,5	
Return loss at all Inputs / Outputs: - in the frequency range of 5 – 40MHz - in the frequency range of 40 – 862MHz	dB dB	20 20 @ 40MHz – 1,5 / oct.	
RETURN PATH			
Frequency range Determined by a diplex filter – plug-in module (DPF)	MHz	5...30 5...42 5...55 5...65	
Gain – measured at amplifier IN/OUT	dB	-2,5 / 20	
Gain characteristic flatness	dB	± 1	
Max. output level – DIN 45004B	dBuV	118	
Output attenuator	dB	adjustable 0...20	plug-in JXP 0...20
Output equalizer	dB	adjustable 0...10	plug-in JXP 0...10
Input Test Signal	dB	-20	
Type	/	Active module – EQA Passive module – EQP (Module for specified bandwidth)	
Noise factor	dB	< 6	
OTHERS			
Operating voltage	V AC / Hz	24...65 / 50 – 60 (sinusoid or trapezoid)	
Power consumption	W	13,5	
Current consumption at 24V AC / 65V AC	A	0,85/0,25	
Transfer of current from Input / Output (max.)	A	7	
Input connector (standard)	/	5/8 or PG11	
Output connector (standard)	/	5/8 or PG11	
Protection class	/	IP64	
Optional temperature range	°C	-20...+ 60	
Weight	kg	1,4	
Dimension (S x W x G)	mm	196 x 134 x 86	

Technical parameters may be changed without earlier notice

[www.telmor.pl](http://www.telmor.pl)